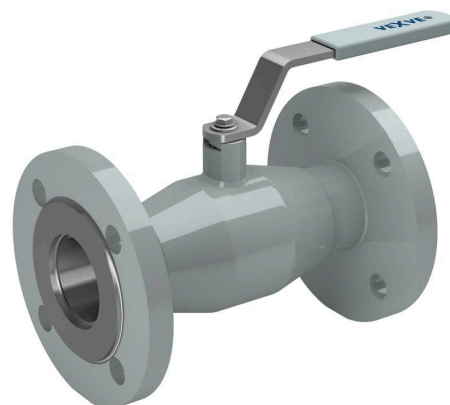


Stainless steel ball valves, reduced bore

233/25 series, PN 25, flange / flange, DN 65-250, reduced bore

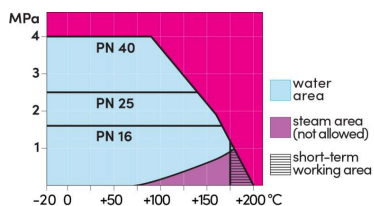
Body	DN 65-250 Stainless steel, X2CrNiMo17-12-2 (1.4404)
Ball	DN 65-250 Stainless steel, X2CrNiMo17-12-2 (1.4404)
Ball seal	DN 65-250 PTFE+C
Stem	DN 65-250 Stainless steel, X2CrNiMo17-12-2 (1.4404)
Stem seal	DN 65-250 FPM/NBR
Operation	DN 65-250 With zinc-plated steel handle
Flanges	EN 1092-1 Available PN 10, 16, 25, 40



Operation conditions

-20 °C – +200 °C
Below -20 °C contact manufacturer
Lowest allowed ambient temperature -40 °C

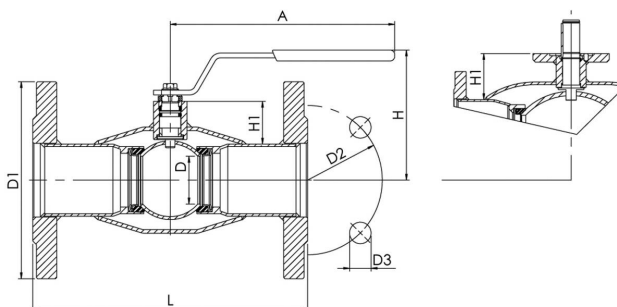
Leakage rate A (EN 12266-1)



Not for steam

DN 65-150

DN 200-250



DN	PN	Product no.	A	D	D1	D2	D3	H	H1	L	kg
65	25	233065/25	278	50	185.0	145.0	18.0	148	51	270	11.0
80	25	233080/25	278	65	200.0	160.0	18.0	159	58	280	13.3
100	25	233100/25	278	80	235.0	190.0	22.0	171	54	300	18.9
125	25	233125/25	400	100	270.0	220.0	26.0	220	68	325	27.7
150	25	233150/25	600	125	300.0	250.0	26.0	240	74	350	35.9
200	25	233200/25	870	150	360.0	310.0	26.0	280	92	400	59.0
250	25	233250/25	1200	200	425.0	370.0	30.0	340	108	550	105.0