

Trunnion mounted ball valves, full bore

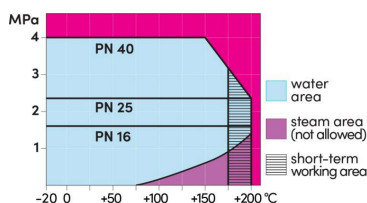
154xx1/25/TR series, PN 25, flange / flange, DN 150-900, full bore

Body	DN 150-400 Steel, P355QH (1.0571) / P355NL1 (1.0566) DN 450-900 Steel, P355QH (1.0571) / P355NH (1.0565)
Ball	DN 150-900 Steel + stainless plating, ASTM A350 LF2 +Ni
Ball seal	DN 150-900 PTFE+C
Stem	DN 150-900 Stainless steel, X17CrNi16-2 (1.4057)
Stem seal	DN 150-900 FPM
Operation	DN 150-900 Valve is equipped with manual gear
Flanges	EN 1092-1 Available PN 16, 25, 40
Structural length	EN 558 (12-series)
Equipment	DN 150-900 are equipped with lifting lugs, mounting stand, Drain valve: DN 20 for DN 150-400 valves, DN 32 for DN 450-1200 valves



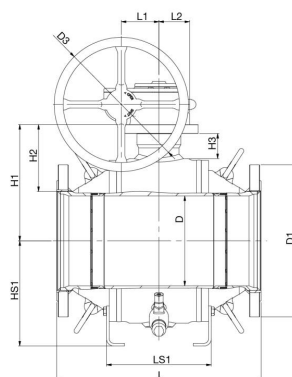
Operation conditions

0 °C – +200 °C
Below 0 °C contact manufacturer
Lowest allowed ambient temperature -20 °C
Leakage rate A (EN 12266-1)

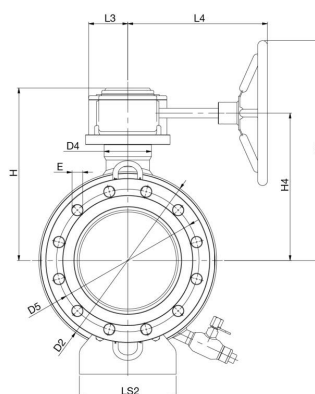


Not for steam

DN 150-900



DN 150-900



DN	PN	Product no.	D	D1	D2	D3	D4	D5	E	H	H1	H2	H3	H4	H5	HS1	L	L1	L2	L3	L4	LS1	LS2	kg
150	25	154151/25/TR	150	300.0	315.0	300.0	98.0	250.0	26	331	234	134	57	279	429	200	394	84	69	81	289	227	160	153.0
200	25	154201/25/TR	201	360.0	368.0	300.0	98.0	310.0	26	357	260	150	56	305	455	235	457	84	69	81	289	234	200	202.0
250	25	154251/25/TR	250	425.0	440.0	500.0	110.0	370.0	30	420	302	164	62	351	601	280	533	118	108	125	363	250	240	309.0
300	25	154301/25/TR	300	485.0	510.0	500.0	110.0	430.0	30	455	337	174	62	386	636	314	610	118	108	125	363	290	280	438.0
350	25	154351/25/TR	340	555.0	590.0	500.0	135.0	490.0	33	528	400	221	80	455	705	360	686	138	133	150	440	348	320	699.0
400	25	154401/25/TR	385	620.0	640.0	500.0	135.0	550.0	36	553	425	220	80	480	730	390	762	138	133	150	440	362	350	844.0
450	25	154451/25/TR	436	670.0	740.0	600.0	180.0	600.0	36	625	490	250	86	554	854	530	864	180	167	188	487	456	400	1145.0
500	25	154501/25/TR	487	730.0	822.0	600.0	200.0	660.0	36	672	537	277	88	601	901	580	914	180	167	188	487	472	420	1435.0
600	25	154601/25/TR	589	845.0	980.0	500.0	200.0	770.0	39	751	616	306	88	680	930	660	1067	180	166	188	540	524	450	2262.0
700	25	154701/25/TR	684	960.0	1125.0	700.0	230.0	875.0	42	910	722	352	111	807	1157	700	1245	253	222	255	593	572	450	3481.0
800	25	154801/25/TR	779	1085.0	1290.0	700.0	270.0	990.0	48	1021	833	418	138	918	1268	840	1368	253	222	255	593	700	600	5150.0
900	25	154901/25/TR	874	1185.0	1440.0	700.0	270.0	1090.0	48	1096	908	438	138	993	1343	900	1524	253	222	255	593	770	600	6530.0

Also available in PN 40. For more information contact our customer service.

Sizes DN 450-900 manufactured by ARMATURY Group a.s. - a member of Vexve Armatury Group.