

# X-gas ball valves, reduced bore

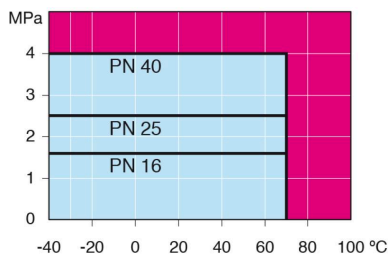
113X series, X-series, flange / flange, DN 15-50, reduced bore

Body	DN 15-50 Steel, P235GH (1.0345)
Ball	DN 15-50 Stainless steel, X5CrNi18-10 (1.4301)
Ball seal	DN 15-50 PTFE+C
Stem	DN 15-50 Stainless steel, X8CrNiS18-9 (1.4305)
Stem seal	DN 15-50 FPM/NBR
Operation	DN 15-50 with composite handle
Flanges	EN 1092-1 Available PN 10, 16, 25, 40

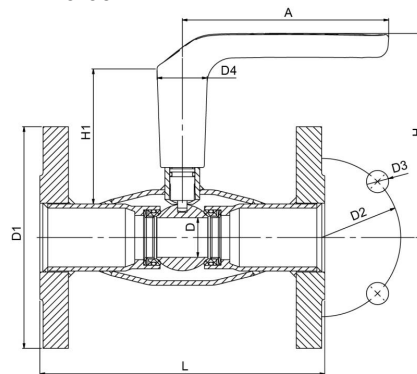


## Operation conditions

-40 °C – +70 °C  
Over 70 °C contact manufacturer  
Below -30 °C contact manufacturer  
Lowest allowed ambient temperature -40 °C  
Leakage rate A (EN 12266-1)



DN 15-50



Not for steam

DN	PN	Product no.	A	D	D1	D2	D3	D4	H	H1	L	kg
15	40	113015X	130	10	95.0	65.0	14.0	32.0	119	86	130	1.7
20	40	113020X	130	15	105.0	75.0	14.0	32.0	123	87	150	2.4
25	40	113025X	130	20	115.0	85.0	14.0	32.0	125	86	160	2.9
32	40	113032X	130	25	140.0	100.0	18.0	32.0	129	85	180	4.5
40	40	113040X	130	32	150.0	110.0	18.0	32.0	133	87	200	5.2
50	40	113050X	130	40	165.0	125.0	18.0	32.0	140	88	230	6.7